

# Submittal Data Sheet

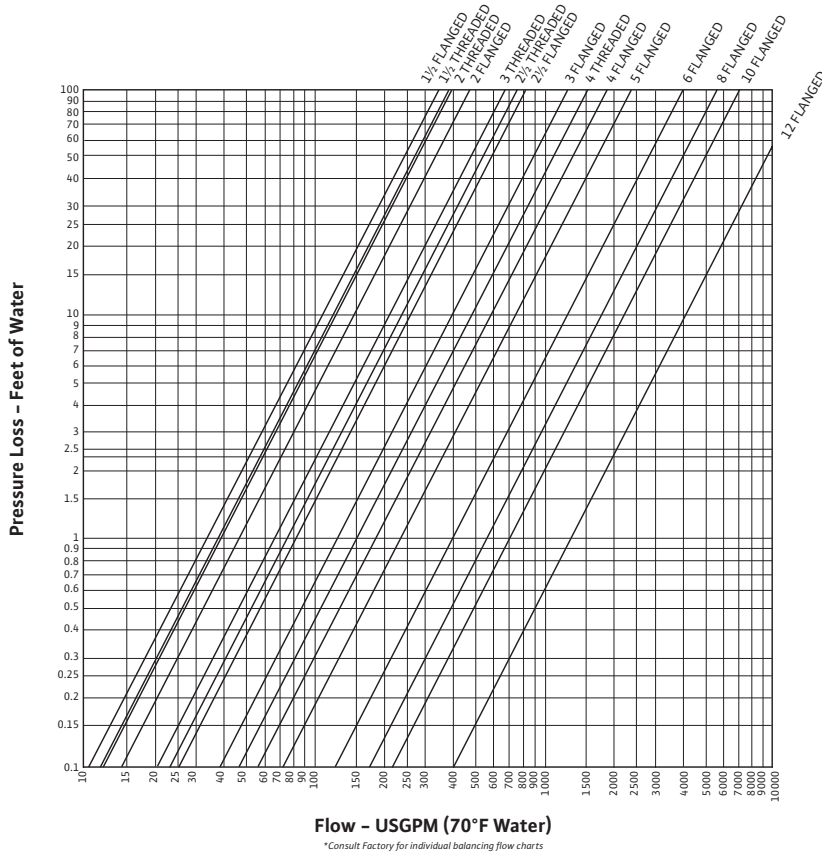
Wilco TDV - Triple Duty Valves / Triple Service Valves



## Wilco TDV



Project:	
Engineer:	
Contractor:	
Submitted By:	Date:
Approved By:	Date:



### Operating Limits

Approved Fluids	
Heating Water	
Cooling and cold water	
Maximum Operating Temperature	
250°F	(120°C)
Maximum Working Pressure	
175 psig	(12 bar)

### Materials of Construction

Body	Cast Iron ASTM A126 / DI A536
Metering Connector	Brass
Clapper Seal	Buna
Clapper	Cast Iron
Spring	Stainless Steel
Clapper Pin	Stainless Steel
Pipe Plug	Steel
Plug	Cast Iron ASTM A126 / DI A536
Cover	Cast Iron ASTM A126 / DI A536
O-Rings	Buna
Cover Stud	Steel
Nut	Steel
Memory Stop	Steel
Set Screw	Steel
Indication Ring	Composite

Other: \_\_\_\_\_

Model	Article Number	Suction x Discharge (in) 125# ANSI Flanged (unless noted)	Tagging Info	Quantity
WTDV 1.5 THD	2712730	1 1/2" NPT		
WTDV 2 THD	2712731	2" NPT		
WTDV 2.5 THD	2712732	2 1/2" NPT		
WTDV 2	2712733	2"		
WTDV 2.5	2712734	2 1/2"		
WTDV 3	2712735	3"		
WTDV 4	2712736	4"		
WTDV 5	2712737	5"		
WTDV 6	2712738	6"		
WTDV 8	2712739	8"		
WTDV 10	2712740	10"		
WTDV 12	2712741	12"		

Approval Stamp

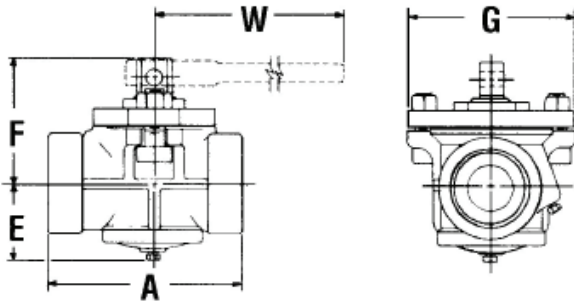
# Submittal Data Sheet

Wilco TDV - Triple Duty Valves / Triple Service Valves

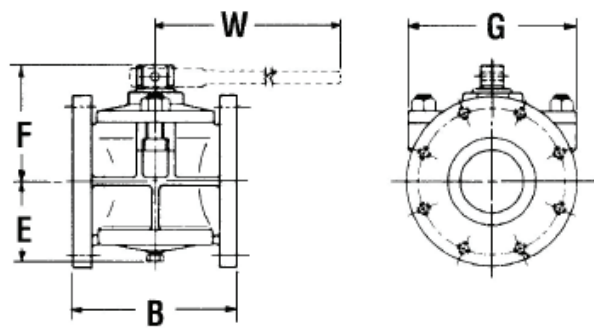


## Dimensions and Weights

### Threaded Ends Bolted Covers



### Flanged Ends Bolted Covers



### Wrench Operated Class - 175 lbs. WOG

## Dimensions and Weights

### Dimensions - Inches (mm)

Part Number	Inlet/Outlet	A	B	E	F	G	W	Weight - lbs (kg)
2712730	1 1/2" NPT	6.38 (162)	-	2.13 (54)	4.31 (110)	5.00 (127)	14.00 (356)	13 (6)
2712731	2" NPT	6.38 (162)	-	2.13 (54)	4.31 (110)	5.00 (127)	14.00 (356)	12 (5)
2712732	2 1/2" NPT	8.25 (210)	-	2.75 (70)	5.75 (146)	6.63 (168)	16.25 (413)	26 (12)
2712733	2"	-	7.00 (178)	2.13 (54)	4.31 (110)	5.00 (127)	14.00 (356)	19 (9)
2712734	2 1/2"	-	8.00 (203)*	2.75 (70)	5.75 (146)	6.63 (168)	16.25 (413)	40 (18)
2712735	3"	-	8.00 (203)*	2.75 (70)	5.75 (146)	6.63 (168)	16.25 (413)	42 (19)
2712736	4"	-	9.00 (229)*	3.25 (83)	6.63 (168)	6.75 (171)	16.25 (413)	64 (29)
2712737	5"	-	10.00 (25)	3.38 (86)	6.63 (168)	6.75 (171)	16.25 (413)	95 (43)
2712738	6"	-	10.50 (267)*	5.00 (127)	7.13 (181)	10.63 (270)	33.13 (842)	122 (55)
2712739	8"	-	11.50 (292)*	5.75 (146)	7.88 (200)	9.0 (229)	31.06 (789)	165 (75)
2712740	10"	-	16.00 (406)	7.50 (191)	9.88 (251)	10.56 (268)	33.06 (840)	270 (123)
2712741	12"	-	19.00 (483)	9.31 (437)	11.38 (289)	13.38 (340)	31.06 (789)	385 (175)

\* All flange holes tapped size 1 1/2, 2 1/2, 3, 4, 6 and 8 inch valves.

Flange dimensions per ANSI standard B16. 1, Class 125.

NPT line pipe threads optional wrench available.

WILO USA LLC

Tel: (866) 945-6872 Web: [www.wilo-usa.com](http://www.wilo-usa.com)  
 Fax: (708) 338-9455 Email: [info@wilo-usa.com](mailto:info@wilo-usa.com)

WILO Canada Inc.

Tel: (866) 945-6236 Web: [www.wilo-canada.com](http://www.wilo-canada.com)  
 Fax: (403) 277-9456 Email: [info@wilo-canada.com](mailto:info@wilo-canada.com)

WILO Mexico

Tel: +52 55 5586 3209 Web: [www.wilo-mexico.com.mx](http://www.wilo-mexico.com.mx)  
 Fax: +52 1 55 5413 4165 Email: [roberto.valenzuela@wilo.com.mx](mailto:roberto.valenzuela@wilo.com.mx)